

Rococo TILLYS

Bespoke Window Shading Solutions

Office

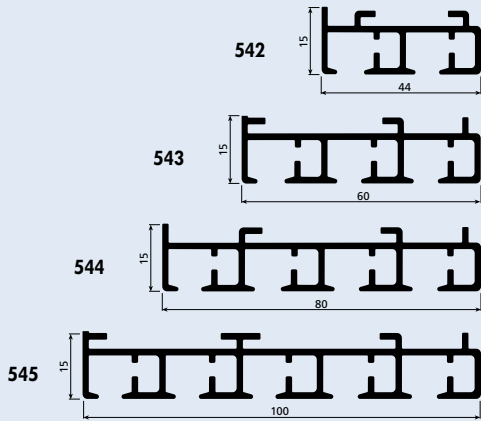


Health Care



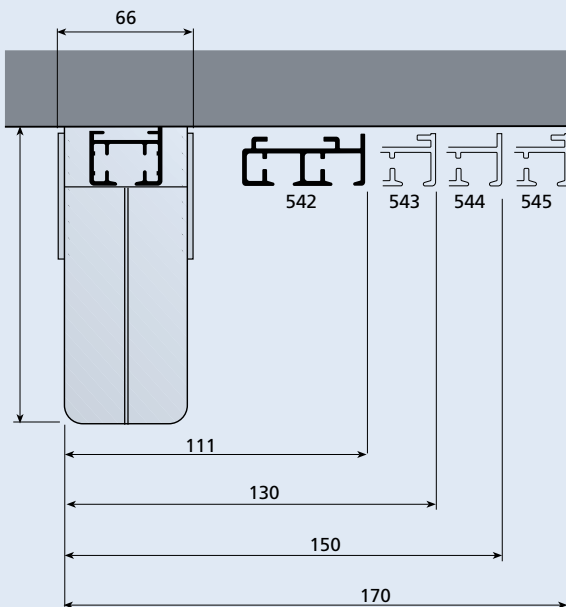
Hotel

Commercial Reception

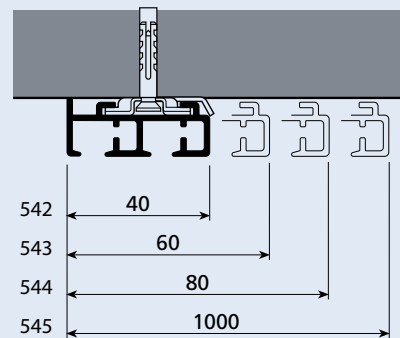


- Sliding panel system for use as window screening and room division
- Hand, cord or motorised operation
- Panels are supported from an aluminium track with multiple channels
- System is supplied as hardware only or complete with panels
- The track is available in White or Silver Anodised
- The track can be face or top fixed or suspended from the ceiling
- Straight track only

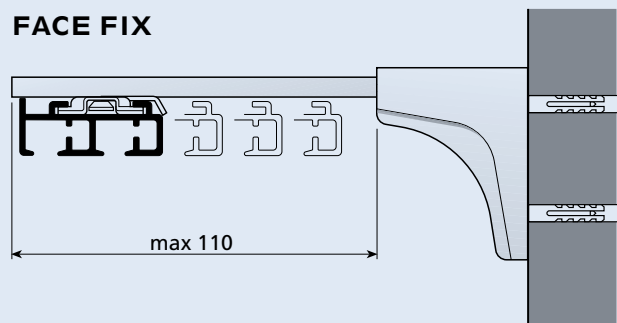
MOTORISED OPERATION



TOP FIX



FACE FIX



FINISH OF PROFILE

Silver Anodised (SA), White (WH)

SPECIFICATION

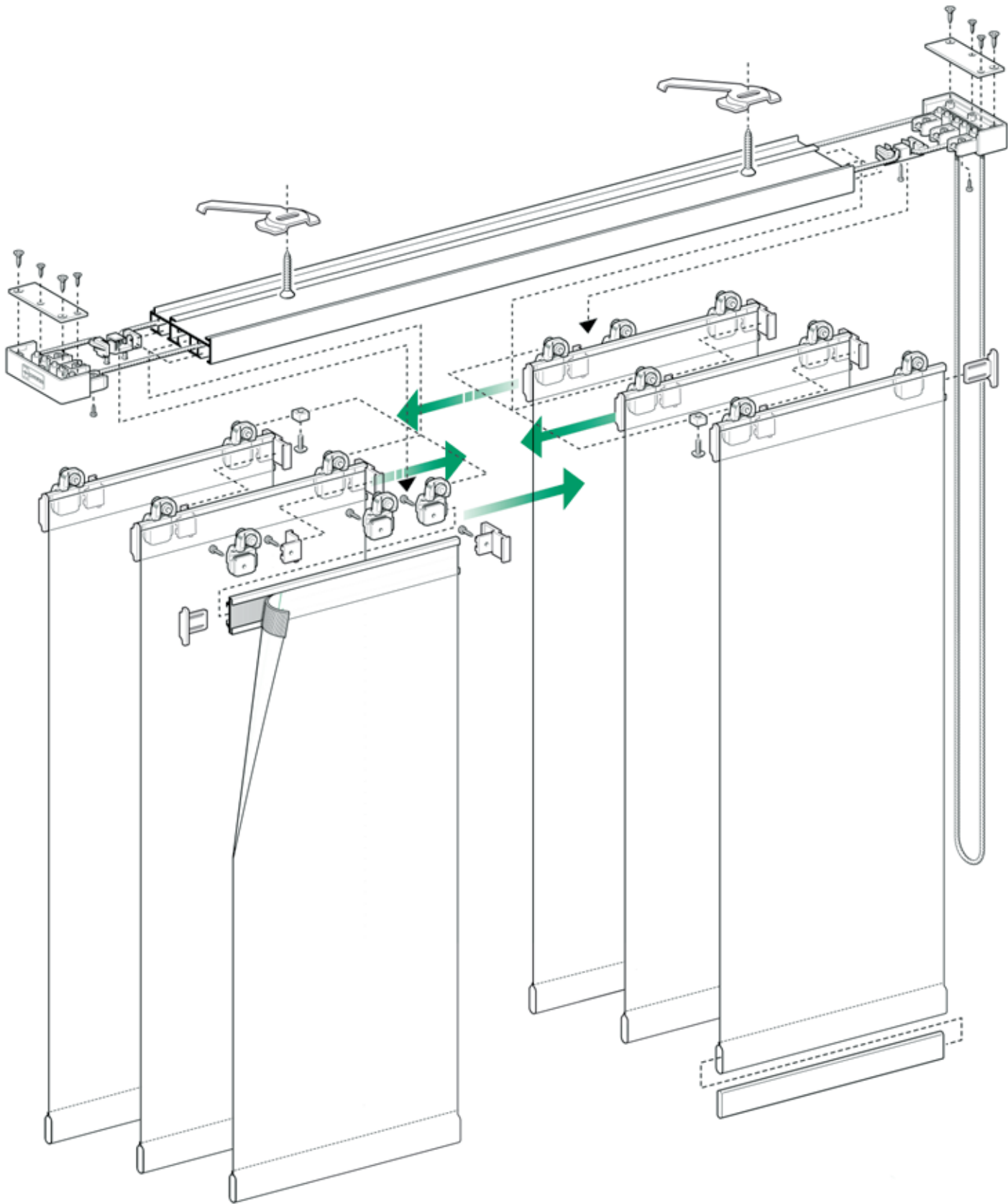
Rococo Panel system consisting of __ channel aluminium profile complete with __ (number) sliding panel carriers. Panels to be split / left hand / right hand stack and with manual / cord operation.

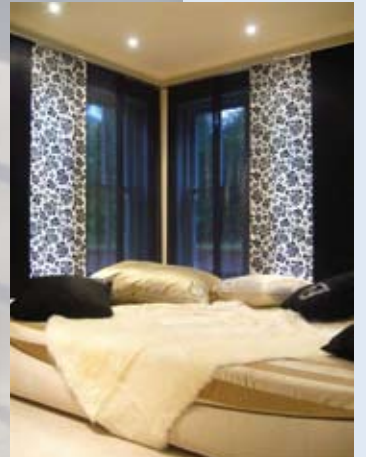
For motorised operation

System specification as above with additional motorised track mounted behind profile. Operation to be with fixed switch / and radio remote control/link to building management software.

Fabrics

Panels to be supplied from Tillys range of: *MASTER* - trevira® plains / *SCREEN* - PVC coated nylon mesh / *TRANSLUCENT* - semi transparent polycarbonate.





TILLYS

POBOX 330

Waterlooville

PO7 9BX

T: 023 9225 2525

W: www.tillysinteriors.com